



DWT OPG 2.2

The DWT OPG 2.2 Tool is a ultra deep water tool operated through a salt water based hydraulic system. The Grab is part of a package (Water Tooling Pack™) covering the complete system from ROV to the tool.

The difference between the OPG 2.2 grab and the Mega Claw grabs is the minimal footprint in the ground that the OPG 2.2 leaves behind. This is because of the open design of the arms.

It is developed to be an environmental friendly and sustainable option to oil-based systems where leakage is a common and severe problem. With oil leakage you will have multiple problems at hand. Not only hurting the environment but also the tool itself when water leaks in, damaging both pumps and valves with increased maintenance and repair as a result.

When using the OPG 2.2 Grab you don't have to bring compensators (oil reservoirs) with you and will therefore have the ability to operate on big depths up to 6000 m.

Deep Water Tooling AS is the first Company to offer this complete package to Subsea Clients all over the world.

The Mobilization is an important part of every project and Deep Water Tooling, as your supplier will naturally offer to provide specialized personnel to take part of this by being on location and guide the crew and users to safely operating and installing the OPG 2.2. Tool technicians to accompany on project is also available. Quote for personnel is separately given upon request depending on location and work scope.

All documentation, certificates and user manuals will be included in package.

- *Environmentally sustainable*
- *Less downtime*
- *Keeps risk assessments Green*
- *Simple mobilization*
- *Cost & time efficient*
- *Ultra deep operations*





DEEP WATER TOOLING AS

Tooling and spooling

Specifications

General

Weight:	4,815 ton
Pay load:	13,5 ton
Arms	5
Capacity	2200 ltr.

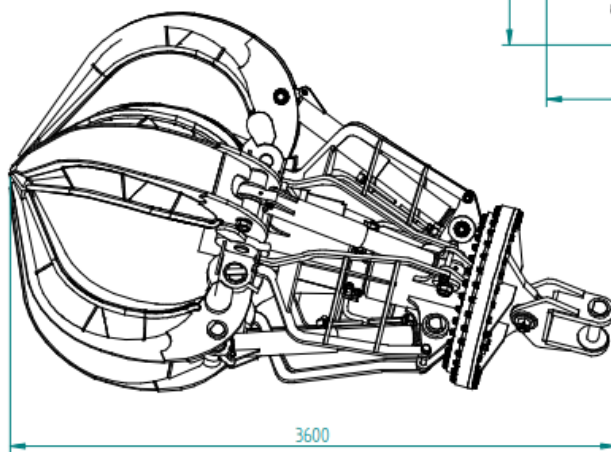
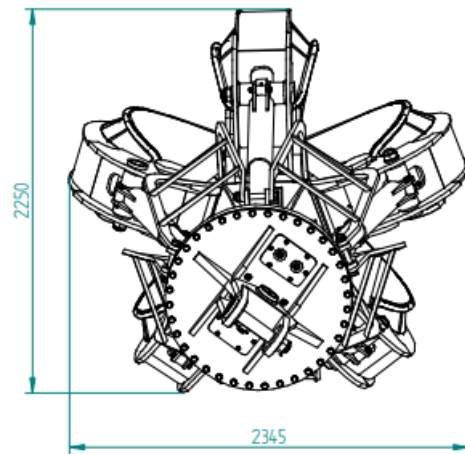
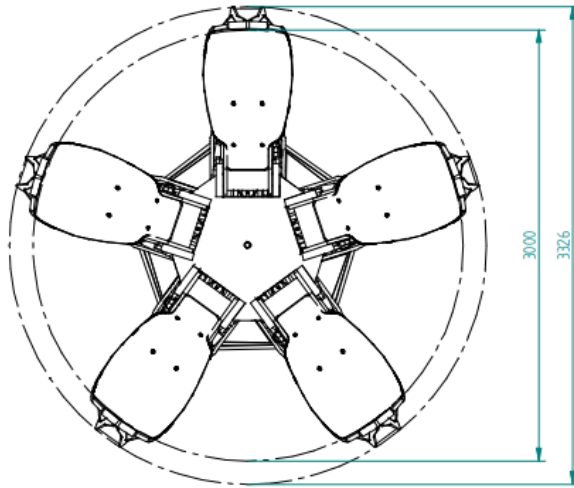
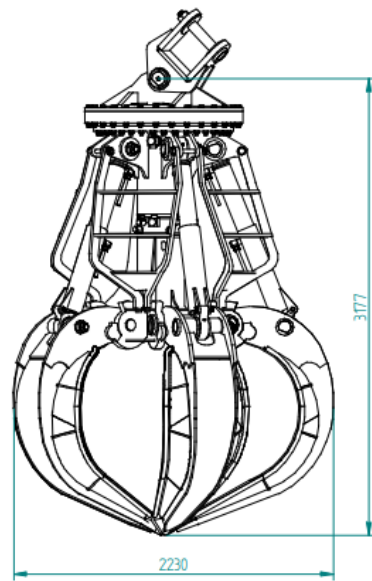
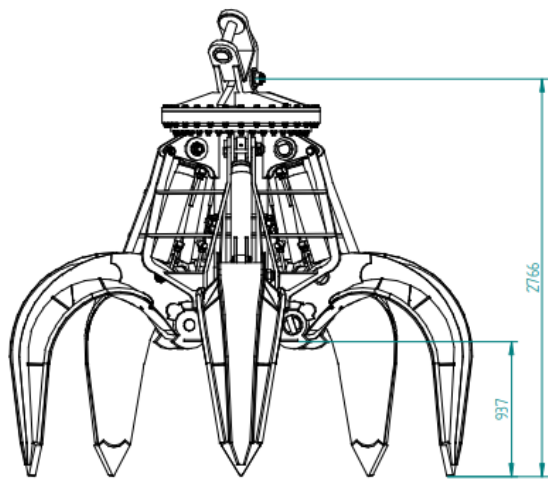
Hydraulics

Fluid:	Salt Water
Cylinders:	5x HD Water Gasket
Max Working Pressure:	90-200 Bar
Water flow:	30-120 l/min



Deep Water Tooling AS
Kyrkjebakken 26
6856 Sogndal, NORWAY

info@dwt.no
+47 977 60 576
Org. Nr. 927 001 128





DEEP WATER TOOLING AS

Tooling and spooling

Water Tooling Pack™

A complete plug and play set for any work class ROV to run tools on water.

The set is specially made by DWT and includes a Safety Hot-Stab which has been developed to minimize downtime and leakage. The hot stab will also auto release if anything would happen to the ROV,

which is key when working with big tools.

We even have a four port version which gives you the opportunity to run conventional hydraulic (oil) tools, without coming on deck.

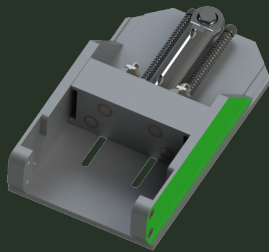
The set includes the DWT Water Valve Pack™ as well.



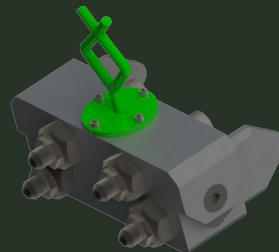
The Water Tooling Pack accompanying the MEGA CLAW 3



DWT Water Valve Pack™ containing dual water high flow valves.



Inboard DWT Hot-Stab™



Outboard DWT Hot-Stab™ four port